

BL2



white, Part No. 93317

Product Information

- Ceiling motion detector for indoor use with a 360° detection area
- For mounting in suspended ceilings
- One channel for light switching
- Easy parameterising by remote control (optional)
- Basic functions for cost-effective applications
- Ready-to-operate thanks to factory settings
- Accessory for surface mounting and flush mounting available
- Factory setting: High detection sensitivity, follow-up time 3 min, switch-on threshold 500 lux

Technical Data

Voltage:	110 - 240 V
Dimensions:	Ø 80 x 61 mm
Power consumption:	0.3 W
Detection area:	vertical 360°
Range:	max. Ø 8 m across max. Ø 4.8 m towards max. Ø 3.2 m smaller movements
Monitored area (tangential movement):	50 m ² / 2.5 m Mounting height
Degree / class of protection:	IP23 / Class II

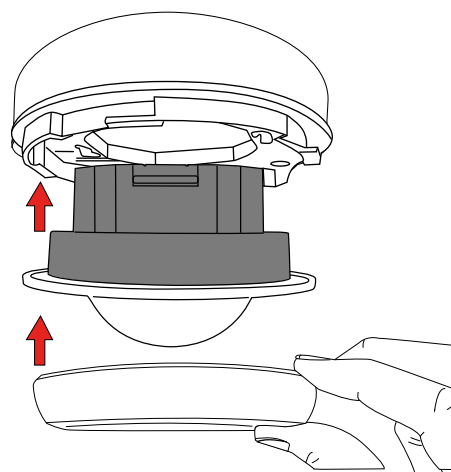
Ambient temperature:	-25 °C to +50 °C
Housing:	Polycarbonate, UV-resistant
Connections and wires:	for one-wires 0.5 - 1.5 mm ²
Switching power:	1000 W, cos φ = 1 500 VA, cos φ = 0.5
Type of contact:	1x μ-contact, NO contact
Follow-up time:	15 sec - 60 min
Switch-on threshold:	10 - 2000 Lux

Description

Description	Colour	Part number	EAN number
BL2-FC	white	93317	4007529933174

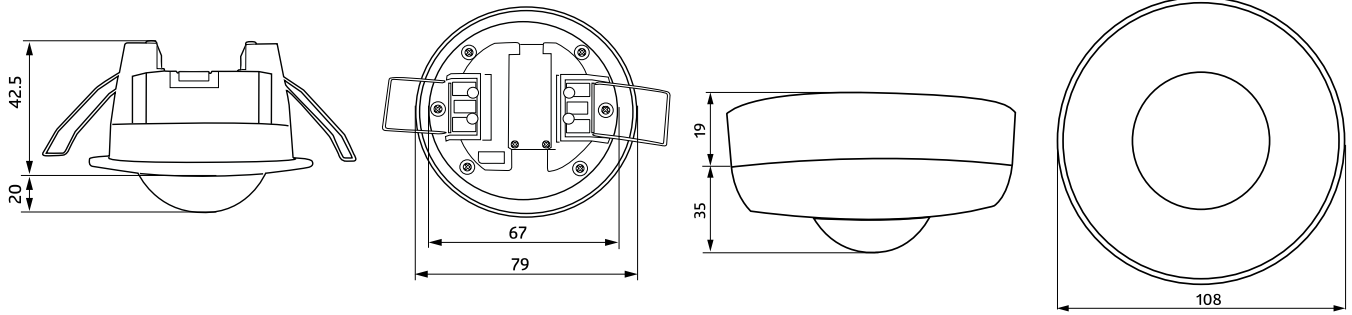
Accessory

Description	Colour	Part number	EAN number
Montageset BL2		93256	4007529932566
RC-Arc extinction kit	white	10880	4007529108800
Mini-RC-Arc extinction kit	black	10882	4007529108824
Wire basket BSK (Ø 200 x 90 mm)	white	92199	4007529921997
IR-BL	-	93055	4007529930555



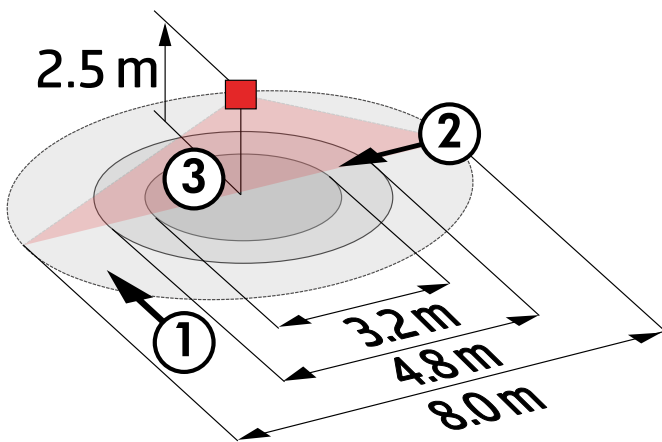
Surface-mount version (SM) consisting of: Flush-mount version (93317) + Mounting kit (93256)

Surface-mount version (SM)



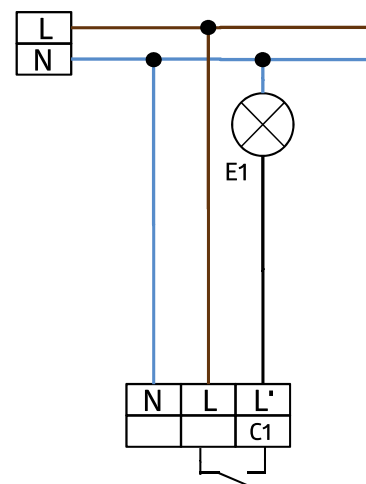
Dimensions FC

Dimensions SM



Range diagram

- 1: Walking across
- 2: Walking towards
- 3: Smaller movements



Wiring diagram